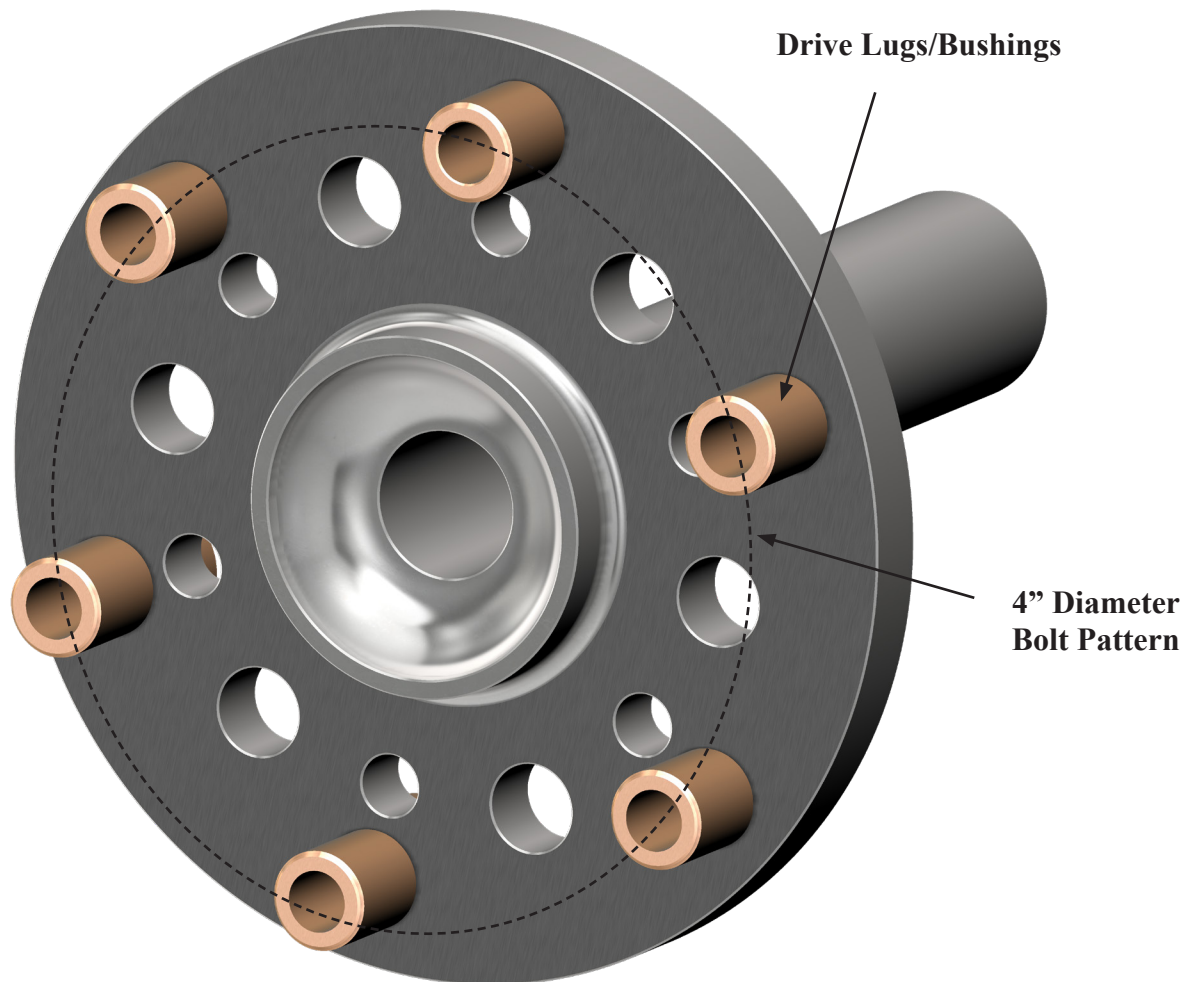


Rotax Propeller Flange Drive Lug Requirements

FOR THREADED DRIVE LUGS, MINIMUM THREAD ENGAGEMENT OF 0.3125" INTO DRIVE LUG THREADS

NOTE: THE BOLT MIGHT NOT EXTEND COMPLETELY THROUGH THE DRIVE LUG



Drive Lugs are required for this propeller installation. Verify that your hardware kit is compatible with your drive lugs

WhirlWind Hardware Kit	Rotax Part Number	Drive Lug	Drive Lug Notes
8 mm	842 634	M8	
5/16"	842 638	5/16"-24	\$\$ Special order from Rotax
5/16"	Other distributors	5/16" non-threaded	Not from Rotax, but very common
Not Compatible	842 639	5/16"-20	
Not Compatible	842 630	M8	For older engines only; SN specific!