

2

1

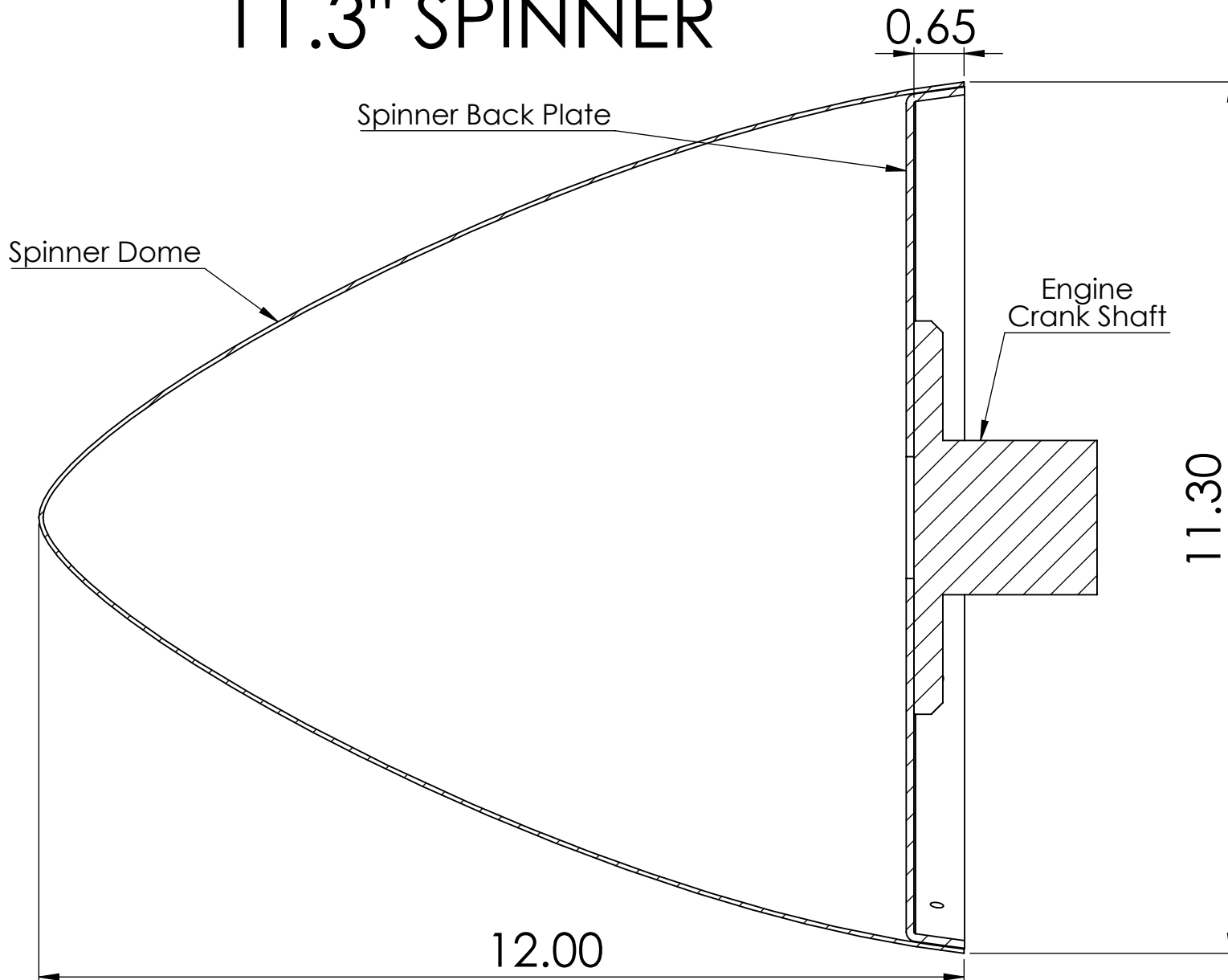
# 11.3" SPINNER

B

B

A

A



COMMENTS:	
MATERIAL :	UNITS:
WEIGHT:	SCALE: 1:10

TITLE:			
DRAWN BY:	DATE:	SHEET 2 OF 2	

**WHIRLWIND PROPELLERS CORPORATION**  
 1800 Joe Crosson Drive El Cajon, CA 92020

2

1