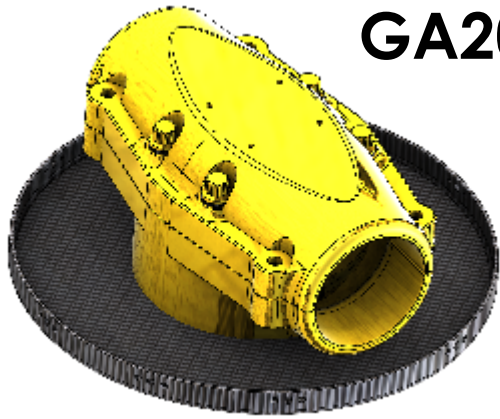
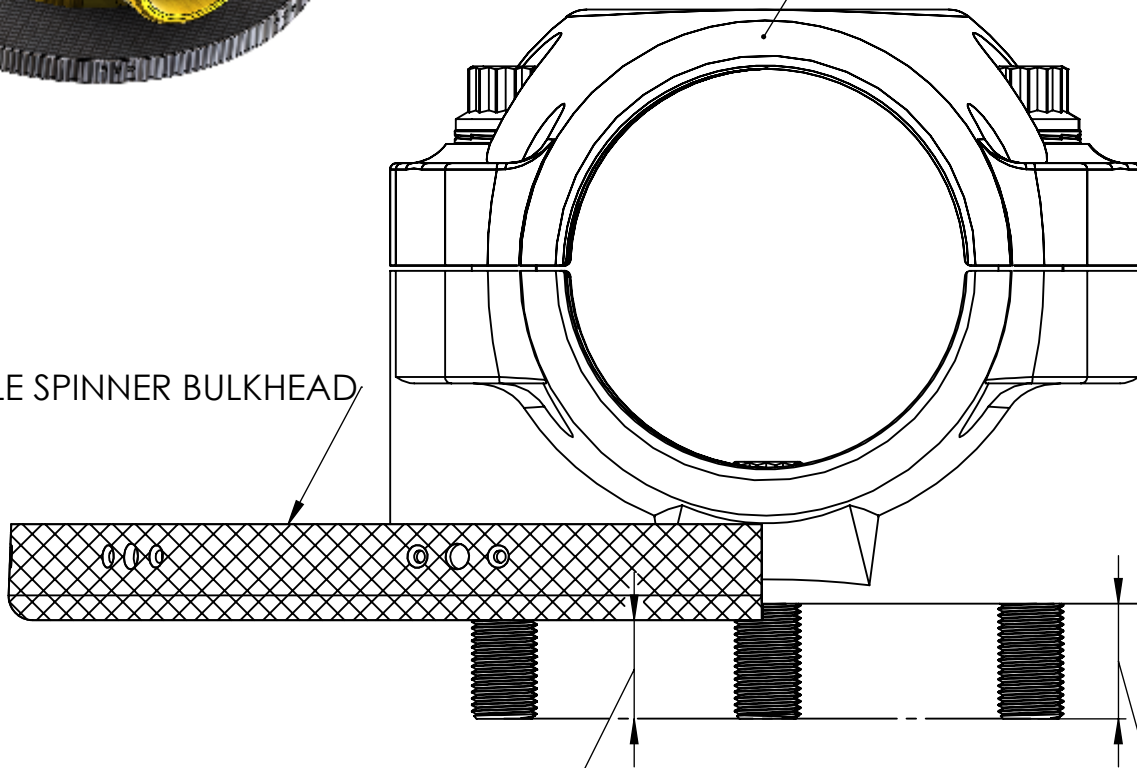


GA200-L MOUNTING BOLT THREAD ENGAGEMENT



GA200-L HUB

CUB STYLE SPINNER BULKHEAD



GA200L-816 HUB 12-POINT MOUNTING BOLTS		
QTY	DIA	Lg
4	1/2"	4.5"
2	1/2"	1.5"

0.900"
FROM THE HUB TO THE END OF THE BOLT

0.770"
FROM BULKHEAD FACE TO END OF BOLT

**NOTE: MINIMUM BOLT THREAD ENGAGEMENT OF .500"
THE BOLT MAY NOT EXTEND COMPLETELY THROUGH THE DRIVE LUG**

WHIRLWIND PROPELLERS Co.

GA200-L 816
HUB WITH BOLTS

TYPICAL LYCOMING FLANGE DRIVELUG DIMENSIONS

4-DRIVELUGS EXTEND .300" - .375" FROM SURFACE OF FLYWHEEL

DRIVELUGS EXTEND A MINIMUM OF .300"
BUT NOT MORE THAN .375"
FROM THE FLYWHEEL'S SURFACE

FLYWHEEL SURFACE

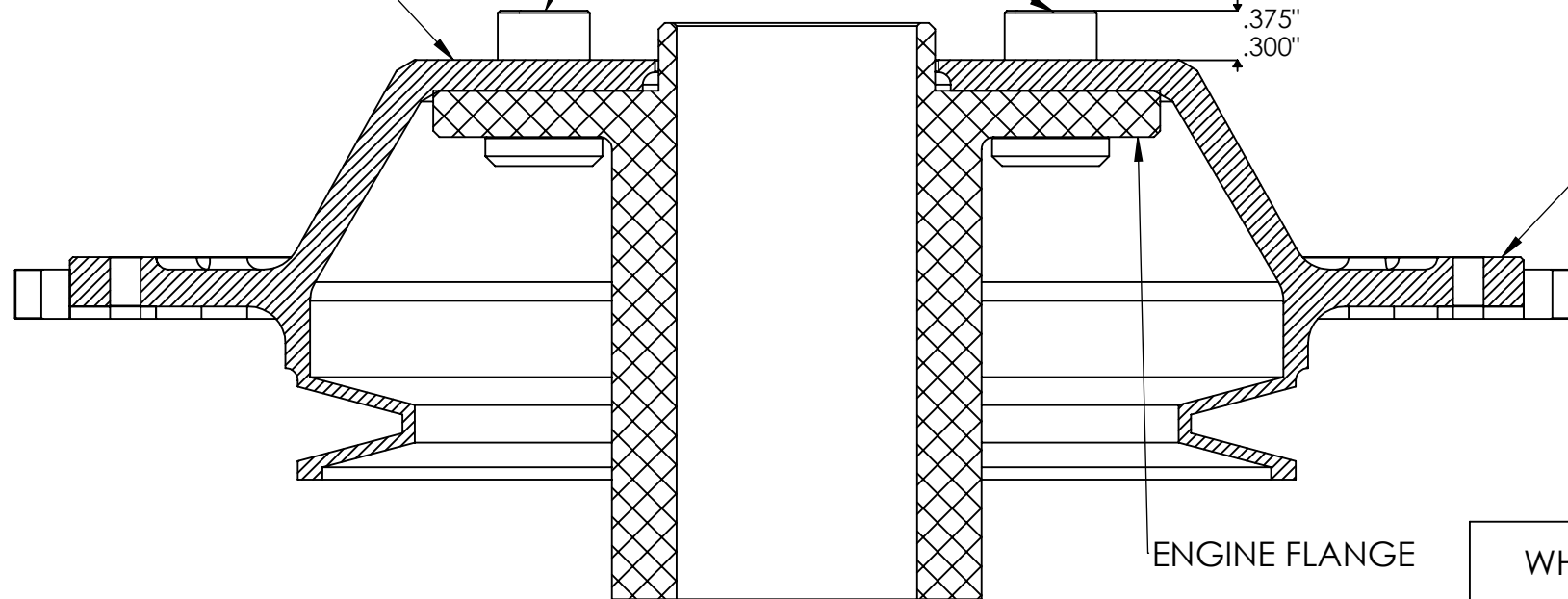
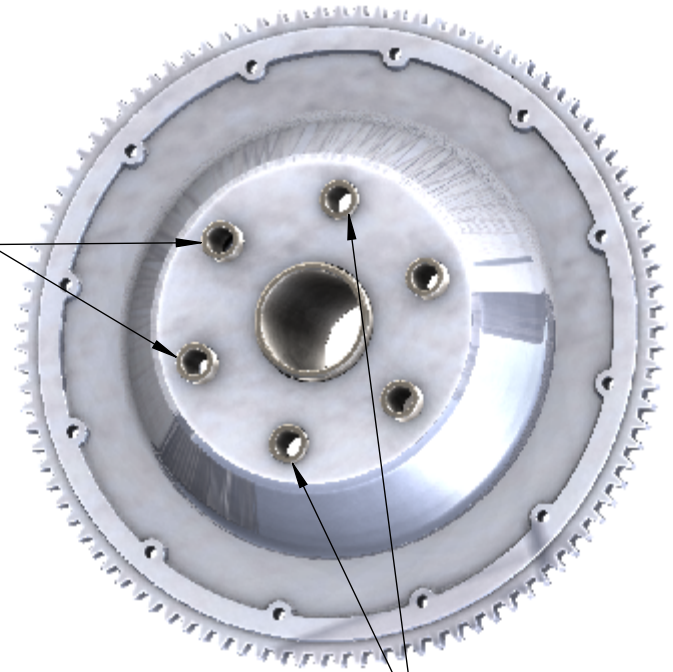
.375"
.300"

2-FLUSH DRIVELUGS

ENGINE FLYWHEEL

ENGINE FLANGE

**NOTE: MINIMUM BOLT THREAD ENGAGEMENT OF .500"
THE BOLT MAY NOT EXTEND COMPLETELY THROUGH THE DRIVE LUG**



WHIRLWIND PROPELLERS Co.

LYCOMING FLYWHEEL
AND ENGINE FLANGE
ASSEMBLY